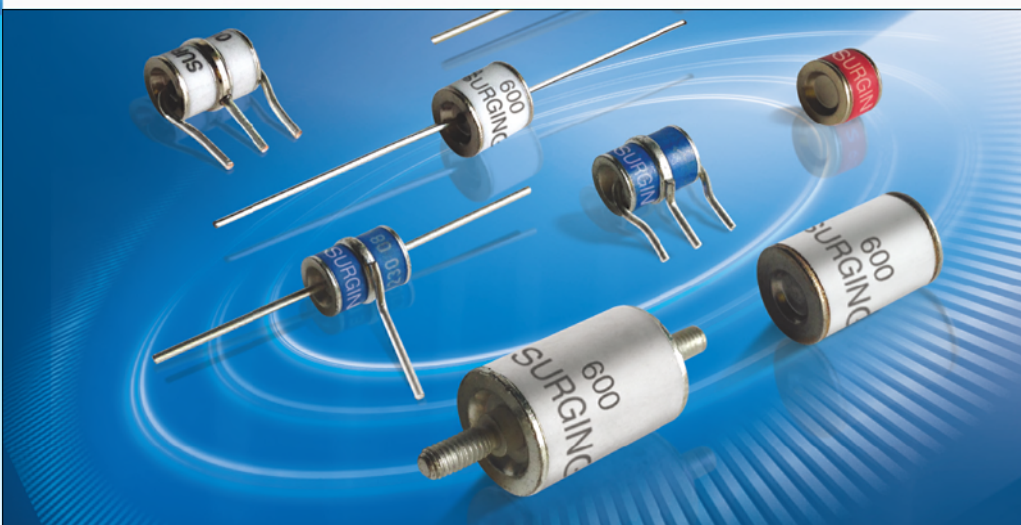


SURGiNG

紹 鑫 實 業



SurgeArresters

陶瓷气体放电管

SE7 Series

Gas Discharge Tube - SE7 Series



GDT introduction: Gas discharge tubes (GDT) use noble gasses enclosed in ceramic tubes to provide an alternate circuit path for voltage spikes. The ceramic envelope and with nickel connectors allow for high loads and Surging offers products that function at 20KA, 40KA, 50KA, 60KA, 100KA & 150KA. The breakdown voltages of the devices have a wide range (up to 20% tolerance). Major applications are high frequency telecommunication lines, stations, security systems, HID and high quality Surge Protection Devices (SPD).

Features

- RoHS & HF compliant
- Size: 11.5mm*7.5mm
- DC Spark-over voltage: 75~800V
- Stable breakdown voltage.
- High insulation resistance.
- High holdover voltage.
- Large absorbing transient current capability.
- Low Capacitance
- Micro-Gap Design

Recommended Applications

- Cable Modem
- xDSL
- Set-Top Box
- Satellite and CATV equipment
- Power supplier
- Consumer electronics
- General telecom equipment

Product Name

SE7 2 - 230X

Series:
SE7系列: ϕ 7*11.5
SG8系列: ϕ 8*10

LeadType:
0=SMD
2=Thrust

DCLineVoltage:
90X=90V
230X=230V
102X=1000V

Gas Discharge Tube - SE7 Series

Electrical Characteristics

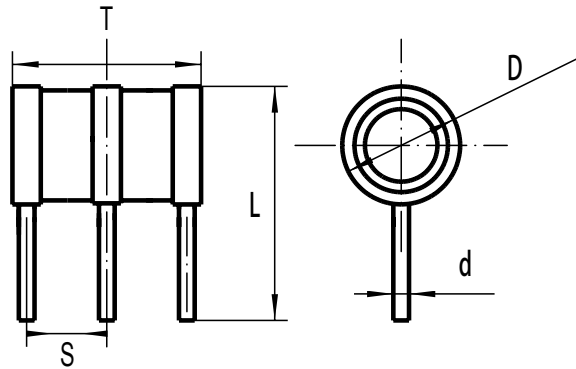
Part Number	DC Spark-over Voltage	Max. Impulse Breakdown Voltage		Max. Impulse Discharge Current (8/20 μ s)	Impulse Life(10/1000 μ s)	Normal Alternating Discharge Current	DC Holdover Voltage	Minimum Insulation Resistance	Maximum Capacitance (1MHz)
	100V/S	100V/ μ s	1KV/ μ s	10 times	100A	50Hz,1Sec	<150ms		
72 Series	(V)	(V)	(V)	(KA)	(Times)	(A)	(V)	(G Ω)	(pF)
SE72-75X	75 \pm 20%	600	700	20	300	10	52	1	2
SE72-90X	90 \pm 20%	600	700	20	300	10	52	1	2
SE72-150X	150 \pm 20%	500	700	20	300	10	135	1	2
SE72-200X	200 \pm 20%	500	700	20	300	10	135	1	2
SE72-230X	230 \pm 20%	600	700	20	300	10	150	1	2
SE72-250X	250 \pm 20%	600	700	20	300	10	150	1	2
SE72-350X	350 \pm 20%	700	800	20	300	10	150	1	2
SE72-400X	400 \pm 20%	800	900	20	300	10	150	1	2
SE72-470X	470 \pm 20%	900	1000	20	300	10	150	1	2
SE72-600X	600 \pm 20%	1000	1100	20	300	10	150	1	2

DC Spark-over Voltage	DC Measuring Voltage
75-90V	50V
150-400V	100V
420-600V	250V

Gas Discharge Tube - SE7 Series

Dimension

"72" (Axial lead type)

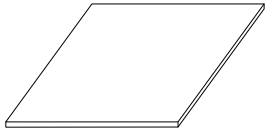
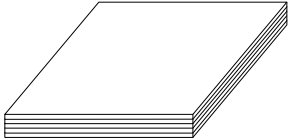
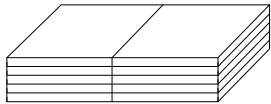


Unit:mm

Item	Dimensions	
	Spec.	Tolerance
D	7.5	±0.2
T	11.5	±0.2
L	15	±1
S	4.4	±0.2
d	1.0	±0.05

Packaging Bulk

Unit:mm

Plastic Tray (200x210x10mm)	Inner Box (210x225x60mm)	Outside Box (450x245x345mm)
		
100 PCS/ Plastic Tray	500 PCS/ Box	5,000 PCS/ Carton